

LVPECL DIFFERENTIAL OUTPUTS CRYSTAL OSCILLATOR

OSC57A

Applications

- SONET / SDH / Gbits / Ethernet / IEEE1394 / Fibre Channel

Features

- Ceramic package / Dimensions (7.0×5.0×1.5)
- Low phase jitter / 0.3ps typ. / 12kHz to 20MHz offset
- LVPECL differential outputs with Tri-state function
- Low Jitter

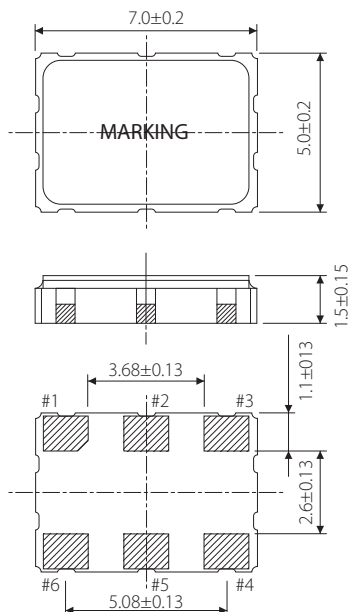
Specifications



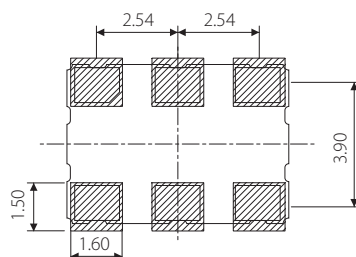
Model	OSC57A	
Frequency range	40.000~160.000 MHz	
Nominal Frequency (MHz)	50, 62.5, 100, 106.25, 108, 125, 133, 155.52, 156.25	
Storage temperature range	-40~+85°C	
Operating temperature range	-10~+70°C	
Frequency stability	$\pm 30 \times 10^{-6}$, $\pm 50 \times 10^{-6}$, $\pm 100 \times 10^{-6}$	
Power supply voltage (Vcc)	+3.3V DC $\pm 5\%$	+2.5V DC $\pm 5\%$
Input voltage level	V_{IL} : 0.3Vcc max. / V_{IH} : 0.7Vcc min.	
Current consumption	90mA max. (60mA typ.) / 30uA max. (Standby)	
Output level	LVPECL	
Load	50 Ω (terminus to Vcc-2V)	
Output voltage level	V_{OL} : Vcc-1.620 max. / V_{OH} : Vcc-1.025 min.	
Rise & Fall time	1ns max. (0.5ns typ.) / 20%~80% output swing level	
Duty cycle	45~55% at 50% output swing level	40~60% at 50% output swing level
Jitter	RMS 1 σ 5ps max. (3ps typ.)	
Phase Jitter	RMS 1ps max. (0.3ps typ.) / 12kHz to 20MHz offset	
Tri-state Function	#1: Floating or "H" → Output enable / #1: "L" → Output disable (Hi-Z)	

Package quantity: 1,000pcs max./Reel.

Outline and Dimensions [unit:mm]



Example of a Terminal Land Pattern



Terminal	Connection
#1	Tri-state
#2	N.C.
#3	Vss
#4	OUT
#5	OUTN
#6	Vdd

Tri-state Function

Tri-state Pin	Output
High or Floating	Active
Low	Hi-impedance